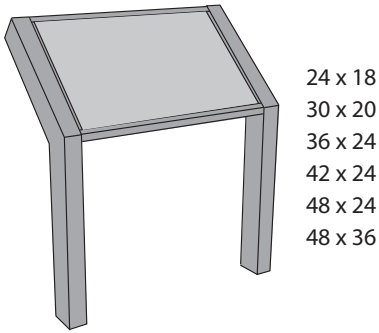
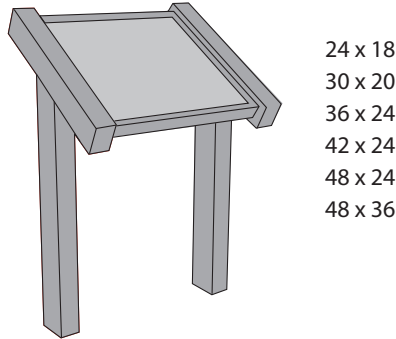


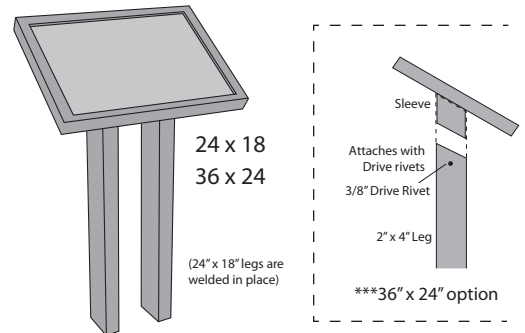
low profile cantilevered unit in-gr



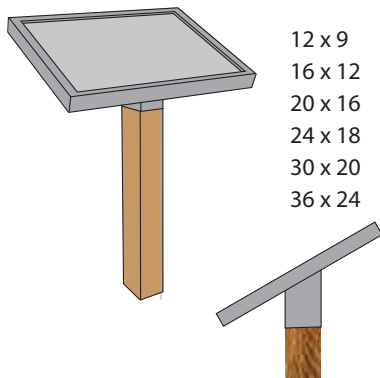
low profile traditional unit in-gr



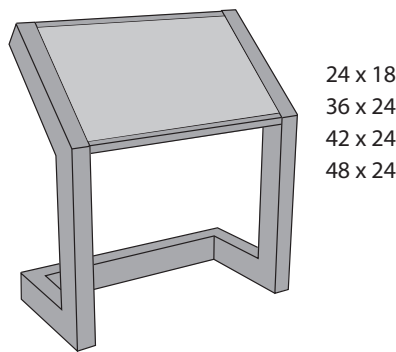
low profile double in-board leg unit



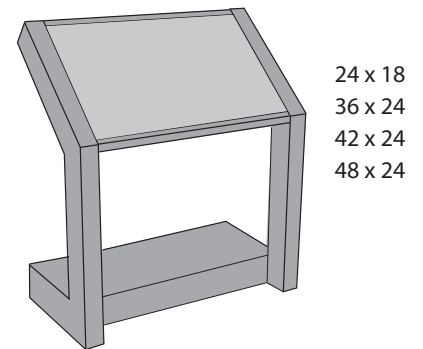
low profile wooden post mount



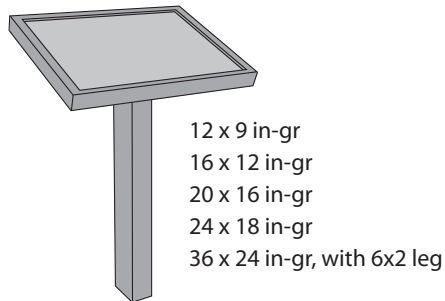
low profile sled unit



low profile sand filled sled unit



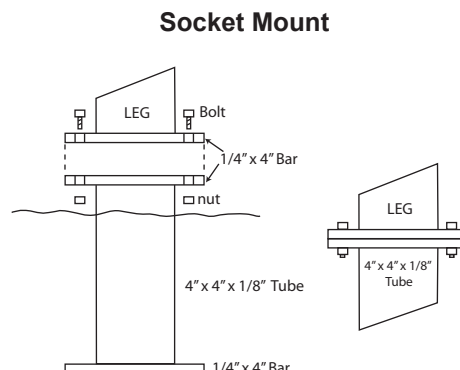
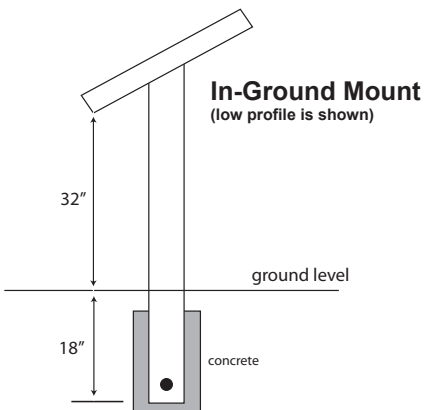
low profile single leg unit



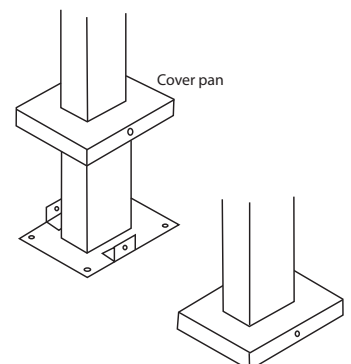
**HOPEWELL
MANUFACTURING INC**

217 N. Franklin Street Waynesboro, PA 17268
717-655-5429 717-655-5498 fax
301-582-2343 301-582-4736 fax
877-521-2787 www.hopewellmfg.com

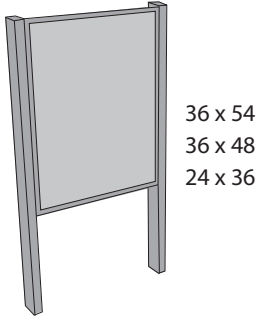
MOUNTS



Deck/Surface Mount

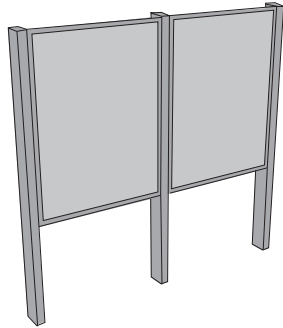


Upright single unit



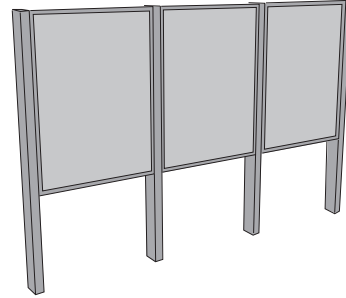
36 x 54
36 x 48
24 x 36

Upright In-Line, 2 Graphic, 3-legs



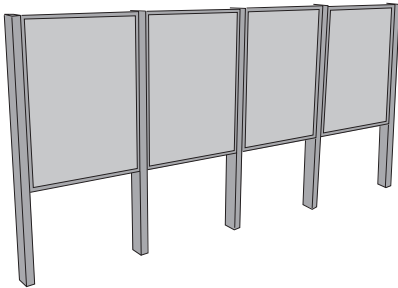
36 x 54
36 x 48
24 x 36

Upright triple in-line unit

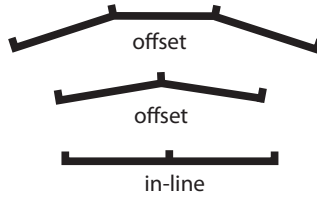


36 x 54
36 x 48
24 x 36

Upright In-line Four panel unit



36 x 54
36 x 48
24 x 36



- panel sizes : 36x24, 32x40, 36x54, 36x48 inches, and custom sizes

- mounts, see below

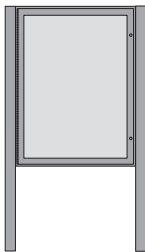
- colors : GI charcoal, medium gray, NPS brown, yorktown green, and custom colors

- panel types : graphic panel or bulletin case/
or any combination

36" x 48" or 36" x 54" in-ground mt.
2.5" x 5" legs, leg length = 106"

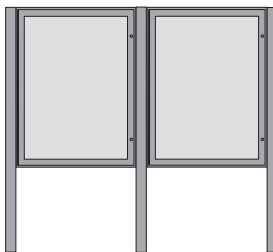
24" x 36" in-ground mount
2.5" x 5" legs, leg length = 89"

Upright Single Bulletin Case



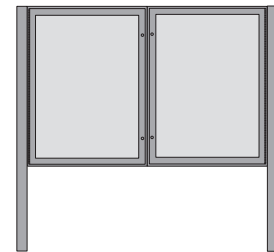
36 x 54
36 x 48
24 x 36

Upright Double Bulletin Case



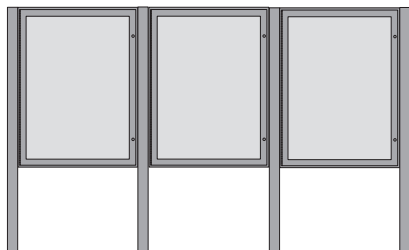
36 x 54
36 x 48
24 x 36

Double Bulletin Case, 2 legs



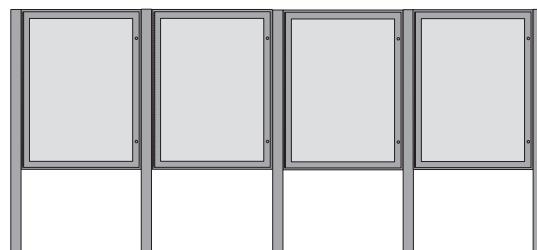
36 x 54
36 x 48
24 x 36

Upright Three Bulletin Cases in-line unit

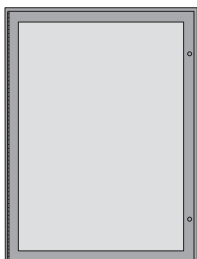


36 x 54
36 x 48
24 x 36

Upright In-line Four Bulletin Cases

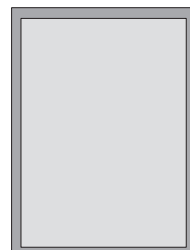


36 x 54
36 x 48
24 x 36



Wall Mount Bulletin Case

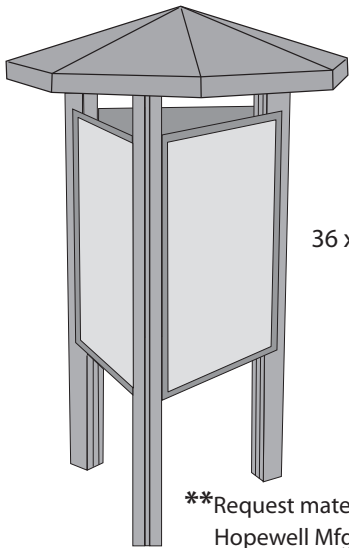
36 x 54
36 x 48
24 x 36
18 x 24



**Wall Mount Frame
for Graphic Panel**

36 x 54
36 x 48
24 x 36
18 x 24

Kiosk Kit unit**

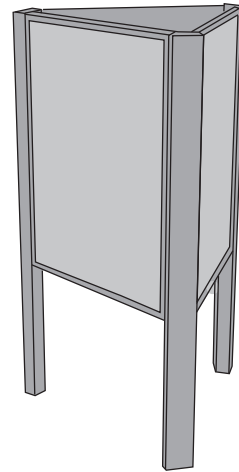


36 x 48

- colors : GI charcoal, medium gray, NPS brown, yorktown green, and **custom colors**
- panel types : graphic panel or bulletin case or any combination

**Request materials list to see what Hopewell Mfg supplies and what your contractor will need to supply.

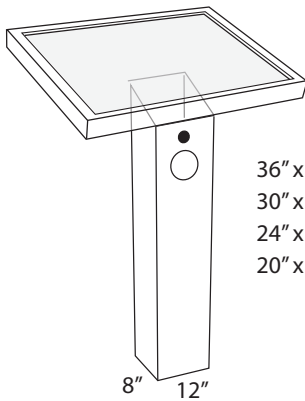
Triangle Unit



24 x 36
36 x 48
36 x 54

* We are in the process of designing a roof for the triangle unit, to be complete in 2014 or sooner

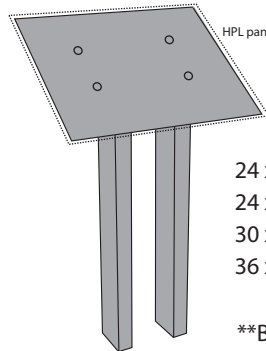
Sound Unit, for solar or battery power with Exhibit Frame



- 36" x 24" In-gr (12" x 8" leg)
- 30" x 20" In-gr (12" x 8" leg)
- 24" x 18" In-gr (12" x 8" leg)
- 20" x 16" In-gr (12" x 8" leg)

8" 12"

Low Profile Double Leg in-gr for HPL panel, 1/4" – 1/2"



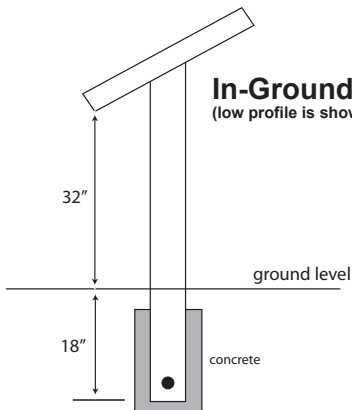
HPL panel

*Note-single leg may also be used for smaller sizes with HPL panels

- 24 x 12 Backing plate
- 24 x 18 Backing plate
- 30 x 20 Backing plate
- 36 x 24 Backing plate

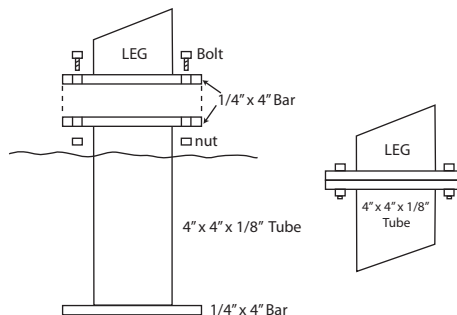
**Backing plate would be undersize of the panel.

MOUNTS

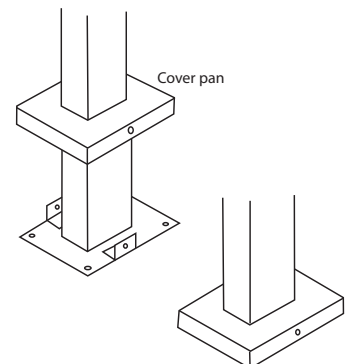


In-Ground Mount
(low profile is shown)

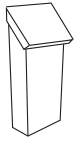
Socket Mount



Deck/Surface Mount



Pamphlet Box

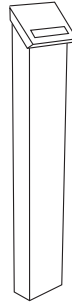


2.5" x 5" attaches to leg of unit

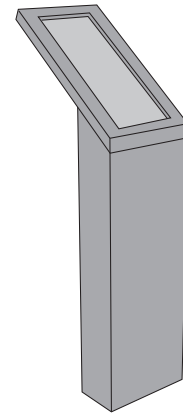
Pamphlet Box, 5" x 5" Post, with Coin Slot



Pamphlet Box 2.5" x 5" Post

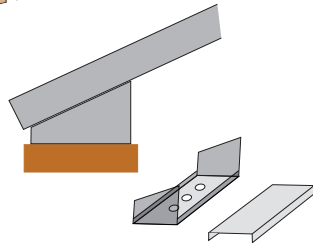
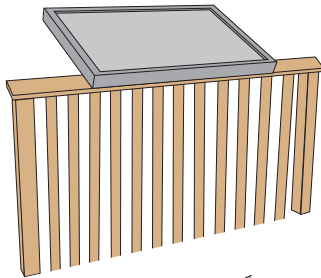


trailside unit

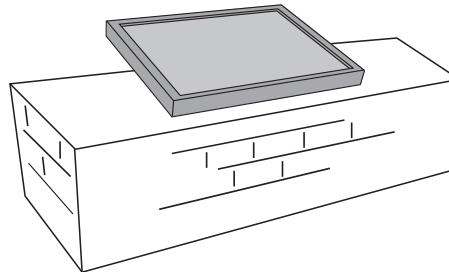


Rail Mount

- 18 x 12
- 24 x 18
- 36 x 24
- 42 x 24
- 48 x 24
- 60 x 36



Low Profile Wall Mount



- 24 x 18
- 30 x 20
- 36 x 24
- 42 x 24
- 48 x 24

Looking for an Interpretive Panel for your park, watershed, camp, museum, etc? We can help! With over 25 years of design experience, we can take care of your needs. With a fiberglass embedment or high pressure laminate panel products to fill your need. We can produce a quality and lasting product for you. Contact us to discuss your next interpretive project!



**HOPEWELL
MANUFACTURING INC**

217 N. Franklin Street Waynesboro, PA 17268
 717-655-5429 717-655-5498 fax
 301-582-2343 301-582-4736 fax
 877-521-2787 www.hopewellmfg.com